

# Arc Trainer® Pivot Cover

Kit No. **610AK004** (Left Hand Pivot Cover)  
**610AK005** (Right Hand Pivot Cover)

Installation Instructions

**NOTE:** This instruction sheet describes how to replace the pivot cover in the Arc Trainer 610A.

## Tools Required

- 7/32" Allen wrench (2)

1. Read and understand all instructions thoroughly before installing this kit.

2. Verify you received the following (see Figure 1):

- A. Pivot Cover (see appropriate kit number listed above).
- B. Loctite #242, **YA000201** (not shown)

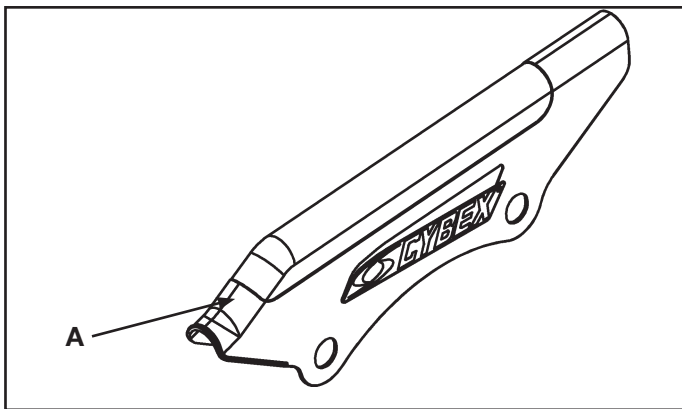


Figure 1

3. Replace the pivot cover.

- A. Turn the main power switch above the power inlet to the off (0) position.
- B. Using two 7/32" Allen wrenches, remove the four BHSCS and pivot shaft retainers securing the pivot cover. **NOTE:** Once one of the two screws is removed (two in front and two in back), carefully wedge an Allen wrench into the shaft in order to remove the other screw from the shaft. See Figure 2.

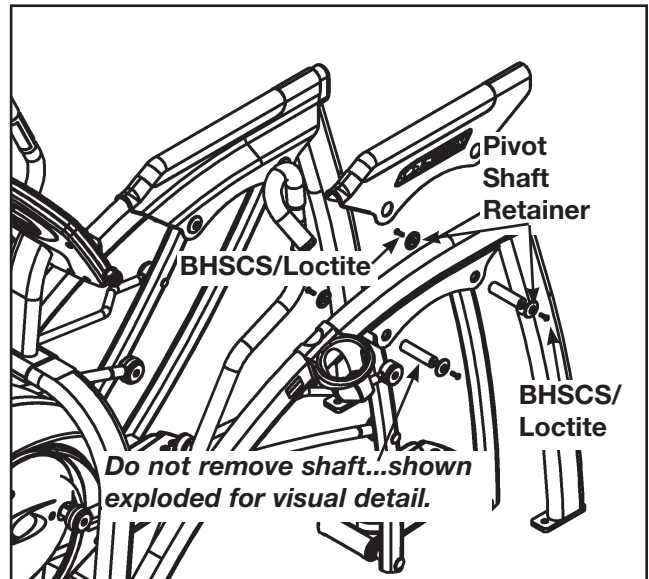


Figure 2

- C. Remove existing pivot cover.
- D. Insert the new pivot cover in place ("Cybex" faces out).
- E. Locate two of the BHSCS/pivot shaft retainers removed from step 3B.
- F. Place a drop of loctite (B) on both of the BHSCS. Place another drop of loctite in the shaft (where each SHCS will be tightened into).
- G. Tighten both screws securely.
- H. Repeat steps 3E through 3G to install the other screws/washers.
- I. Turn the main power switch to the on (I) position.
- J. Test the unit to verify proper operation.



Cybex® and the Cybex logo are registered trademarks of Cybex International, Inc.  
Arc Trainer® and its mark are registered trademarks of Cybex International, Inc.